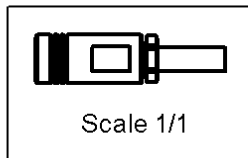
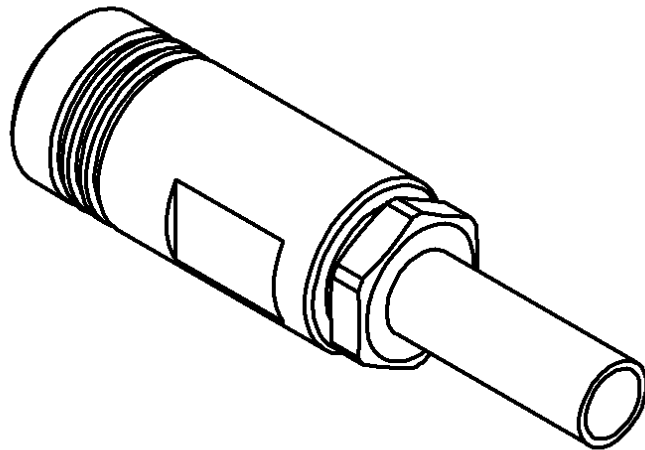
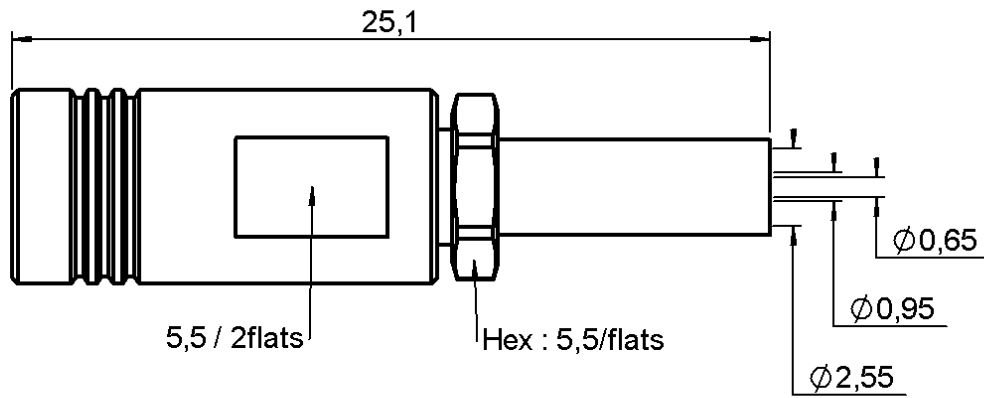


**STRAIGHT PLUG CRIMP TYPE**

**R114.073.134**

**CABLE 2/50 S**

Series : SMB



All dimensions are in mm.



| COMPONENTS     | MATERIALS        | PLATINGS (µm)          |
|----------------|------------------|------------------------|
| BODY           | BRASS            | GOLD 0.2 OVER NICKEL 2 |
| CENTER CONTACT | BERYLLIUM COPPER | GOLD 1.3 OVER NICKEL 2 |
| OUTER CONTACT  | BERYLLIUM COPPER | GOLD 0.5 OVER NICKEL 2 |
| INSULATOR      | PTFE             |                        |
| GASKET         | -                |                        |
| OTHERS PARTS   | BRASS            | GOLD 0.2 OVER NICKEL 2 |
| -              | -                | -                      |
| -              | -                | -                      |

Issue : 0215 A

In the effort to improve our products, we reserve the right to make changes judged to be necessary.



**STRAIGHT PLUG CRIMP TYPE**

**R114.073.134**

**CABLE 2/50 S**

Series : SMB

**PACKAGING**

| Standard | Unit | Other             |
|----------|------|-------------------|
| <b>1</b> | -    | <b>Contact us</b> |

**SPECIFICATION**

**ELECTRICAL CHARACTERISTICS**

|                                 |               |                             |
|---------------------------------|---------------|-----------------------------|
| Impedance                       |               | <b>50</b> Ω                 |
| Frequency                       |               | <b>0-4</b> GHz              |
| VSWR                            | <b>1.30</b> + | <b>0.040</b> x F(GHz) Maxi  |
| Insertion loss                  |               | <b>0.25</b> √F(GHz) dB Maxi |
| RF leakage                      | - (           | <b>57</b> - F(GHz)) dB Maxi |
| Voltage rating                  |               | <b>250</b> Veff Maxi        |
| Dielectric withstanding voltage |               | <b>750</b> Veff mini        |
| Insulation resistance           |               | <b>1000</b> MΩ mini         |

**CABLE ASSEMBLY**

| Stripping | a    | b    | c    | d    | e    | f    |
|-----------|------|------|------|------|------|------|
| mm        | 2.20 | 5.40 | 15.5 | 0.00 | 13.3 | 0.00 |

Assembly instruction : **Crimp 10**

Recommended cable(s)  
 RG 178  
 KX 21  
 RG 196  
 RG 178 LC

Cable retention  
 - pull off **58** N mini  
 - torque **3.9** N.cm

**MECHANICAL CHARACTERISTICS**

|                            |           |           |
|----------------------------|-----------|-----------|
| Center contact retention   |           |           |
| Axial force – Mating end   | <b>10</b> | N mini    |
| Axial force – Opposite end | <b>10</b> | N mini    |
| Torque                     | <b>NA</b> | N.cm mini |

**TOOLING**

| Part Number  | Description   | Hexagon |
|--------------|---------------|---------|
| .            | .             | .       |
| R282.211.000 | CRIMPING TOOL | 2.67    |
| R282.235.003 | CRIMPING DIES | 2.67    |
| R282.293.000 | CRIMPING TOOL | -       |

|                    |              |      |
|--------------------|--------------|------|
| Recommended torque |              |      |
| Mating             | <b>NA</b>    | N.cm |
| Panel nut          | <b>NA</b>    | N.cm |
| Clamp nut          | <b>70</b>    | N.cm |
| A/F clamp nut      | <b>5.500</b> | mm   |

**OTHERS CHARACTERISTICS**

|             |              |             |
|-------------|--------------|-------------|
| Mating life | <b>500</b>   | Cycles mini |
| Weight      | <b>3.300</b> | g           |

**ENVIRONMENTAL**

|                       |                 |           |
|-----------------------|-----------------|-----------|
| Operating temperature | <b>-65/+165</b> | ° C       |
| Hermetic seal         | <b>NA</b>       | Atm.cm3/s |
| Panel leakage         | <b>NA</b>       |           |

Issue : 0215 A

In the effort to improve our products, we reserve the right to make changes judged to be necessary.

